

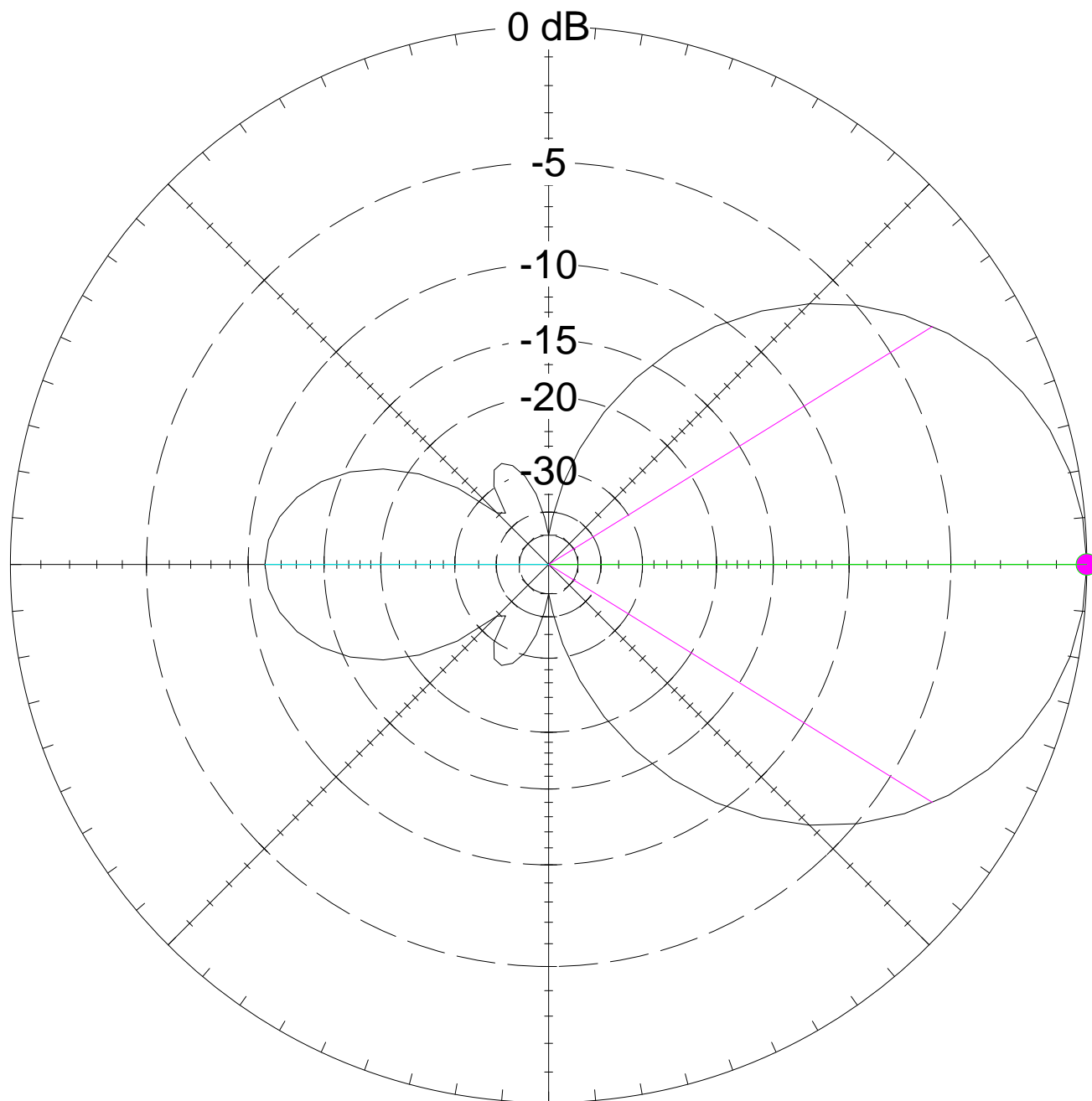
3 STQ 5

28,4 MHz

Azimuth Plot
Elevation Angle 15,0 deg.
Outer Ring 14,04 dBi

Cursor Az 0,0 deg.
Gain 14,04 dBi
0,0 dBmax

Slice Max Gain 14,04 dBi @ Az Angle = 0,0 deg.
Front/Back 11,42 dB
Beamwidth 63,4 deg.; -3dB @ 328,3, 31,7 deg.
Sidelobe Gain 2,62 dBi @ Az Angle = 180,0 deg.
Front/Sidelobe 11,42 dB



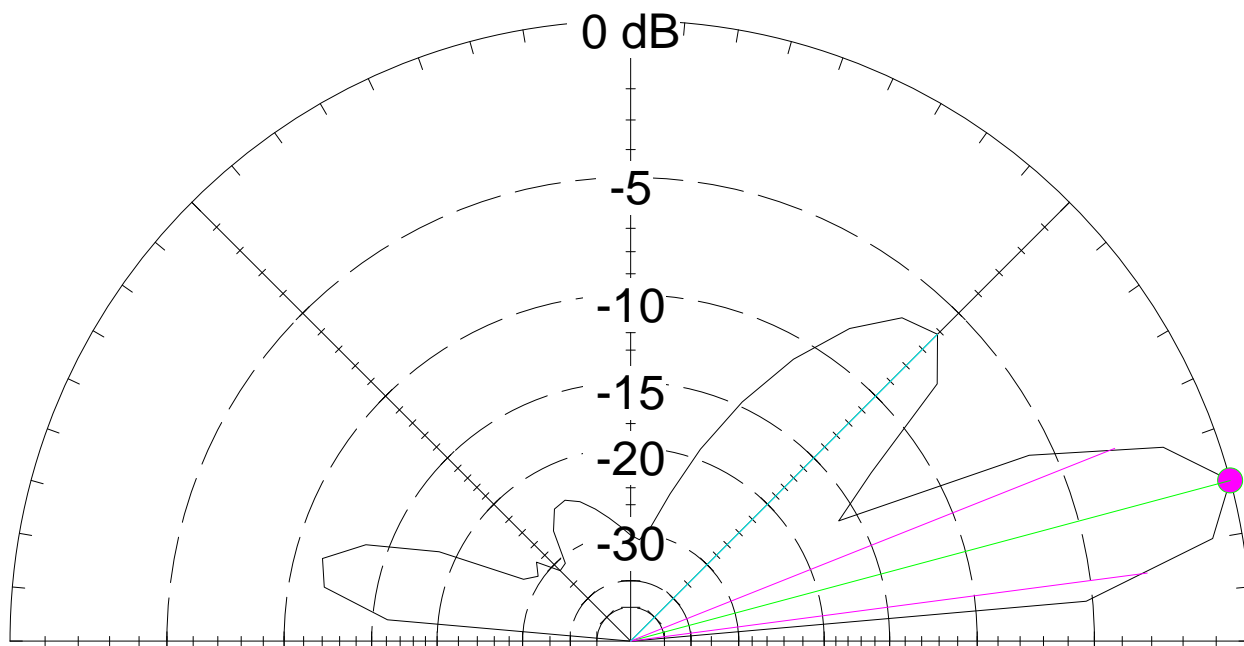
3 STQ 5

28,4 MHz

Azimuth Plot
Elevation Angle 0,0 deg.
Outer Ring 9,11 dBi

Cursor Az 0,0 deg.
Gain 9,11 dBi
0,0 dBmax

Slice Max Gain 9,11 dBi @ Az Angle = 0,0 deg.
Front/Back 10,98 dB
Beamwidth 63,6 deg.; -3dB @ 328,2, 31,8 deg.
Sidelobe Gain -1,87 dBi @ Az Angle = 180,0 deg.
Front/Sidelobe 10,98 dB



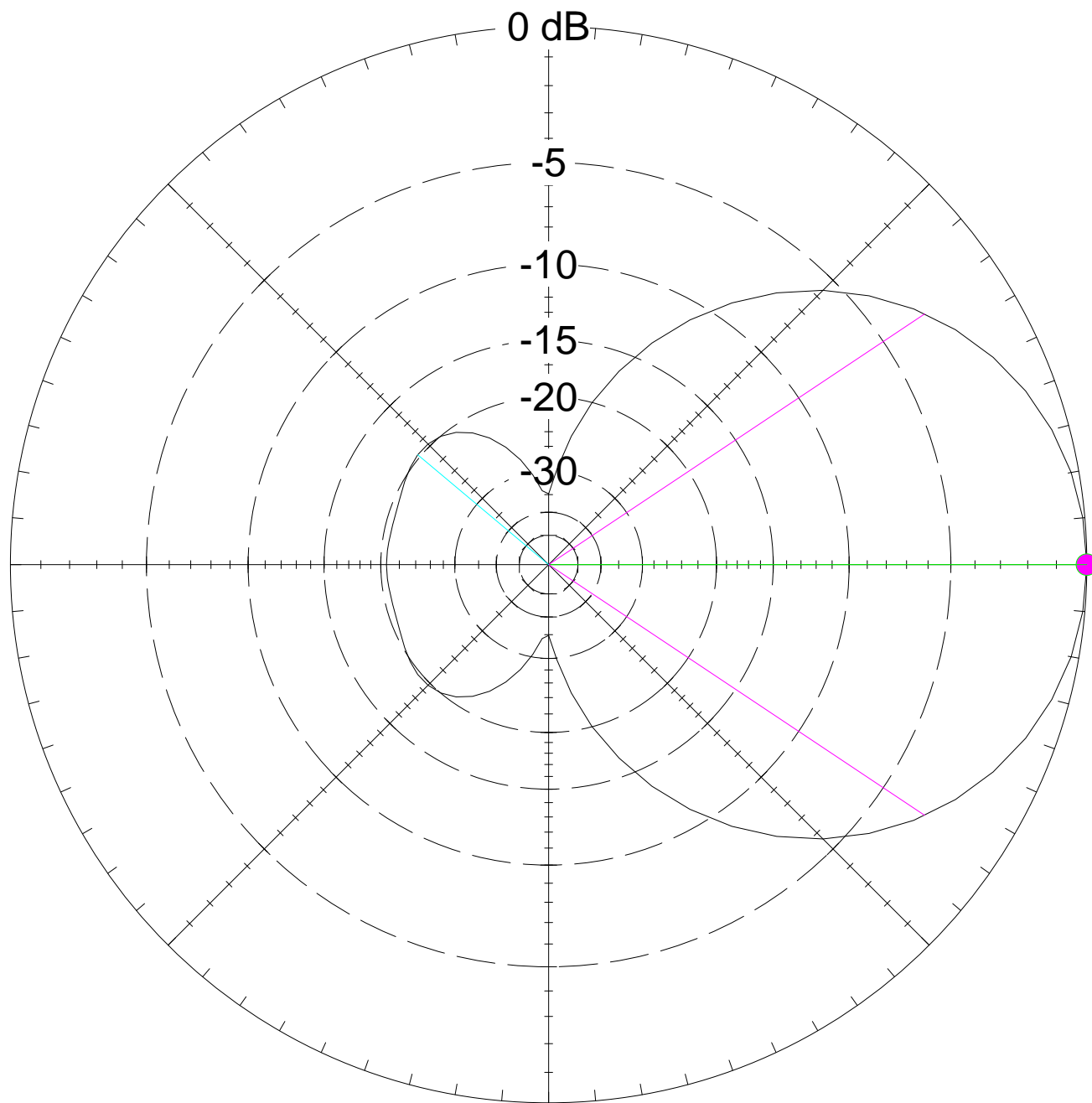
3 STQ 5

28,4 MHz

Elevation Plot
Azimuth Angle 0,0 deg.
Outer Ring 14,04 dBi

Cursor Elev 15,0 deg.
Gain 14,04 dBi
0,0 dBmax

Slice Max Gain 14,04 dBi @ Elev Angle = 15,0 deg.
Beamwidth 14,2 deg.; -3dB @ 7,5, 21,7 deg.
Sidelobe Gain 7,9 dBi @ Elev Angle = 45,0 deg.
Front/Sidelobe 6,14 dB



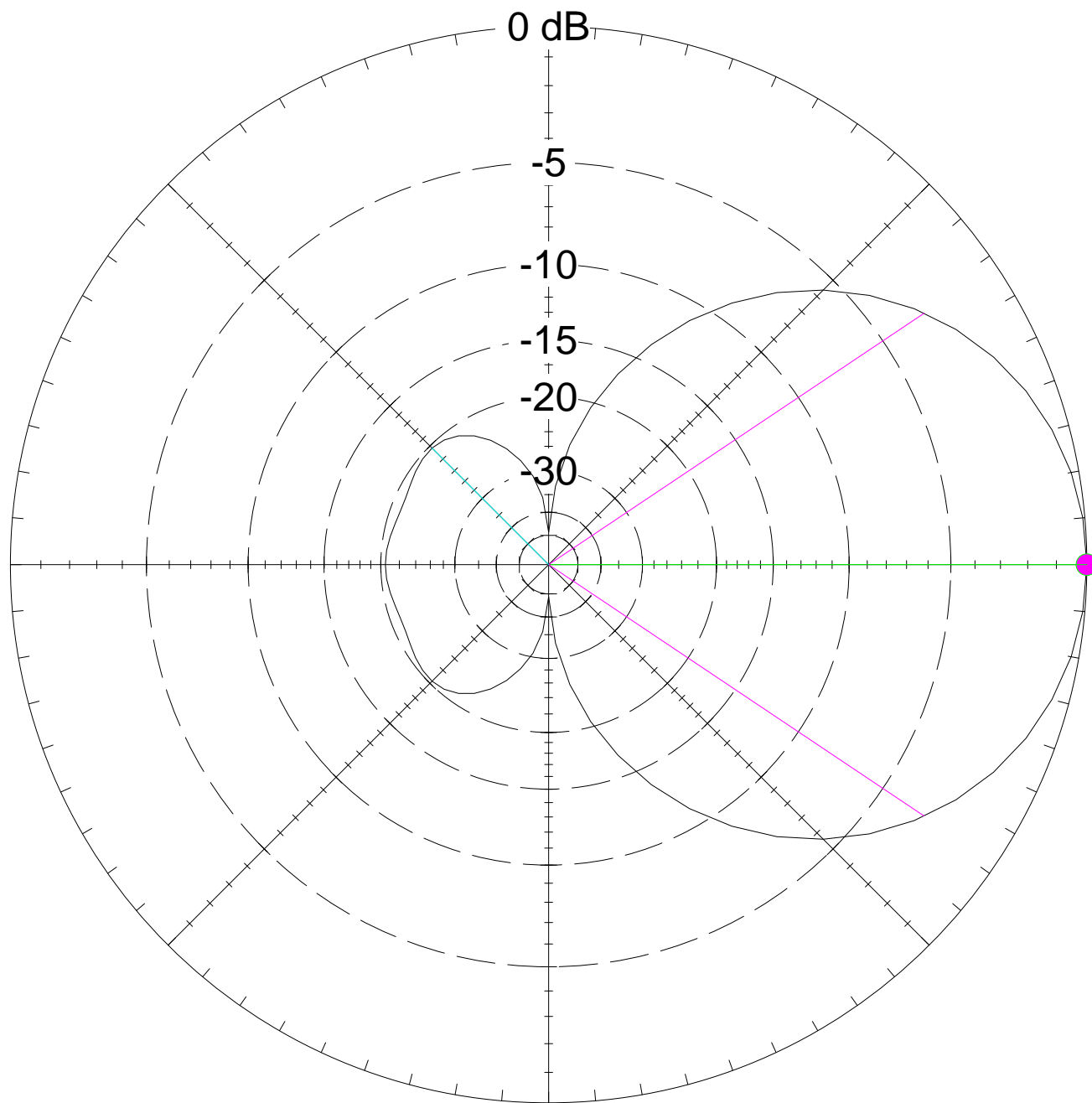
3 STQ 5

24,89 MHz

Azimuth Plot
Elevation Angle 15,0 deg.
Outer Ring 13,49 dBi

Cursor Az 0,0 deg.
Gain 13,49 dBi
0,0 dBmax

Slice Max Gain 13,49 dBi @ Az Angle = 0,0 deg.
Front/Back 20,59 dB
Beamwidth 67,4 deg.; -3dB @ 326,3, 33,7 deg.
Sidelobe Gain -6,2 dBi @ Az Angle = 140,0 deg.
Front/Sidelobe 19,69 dB



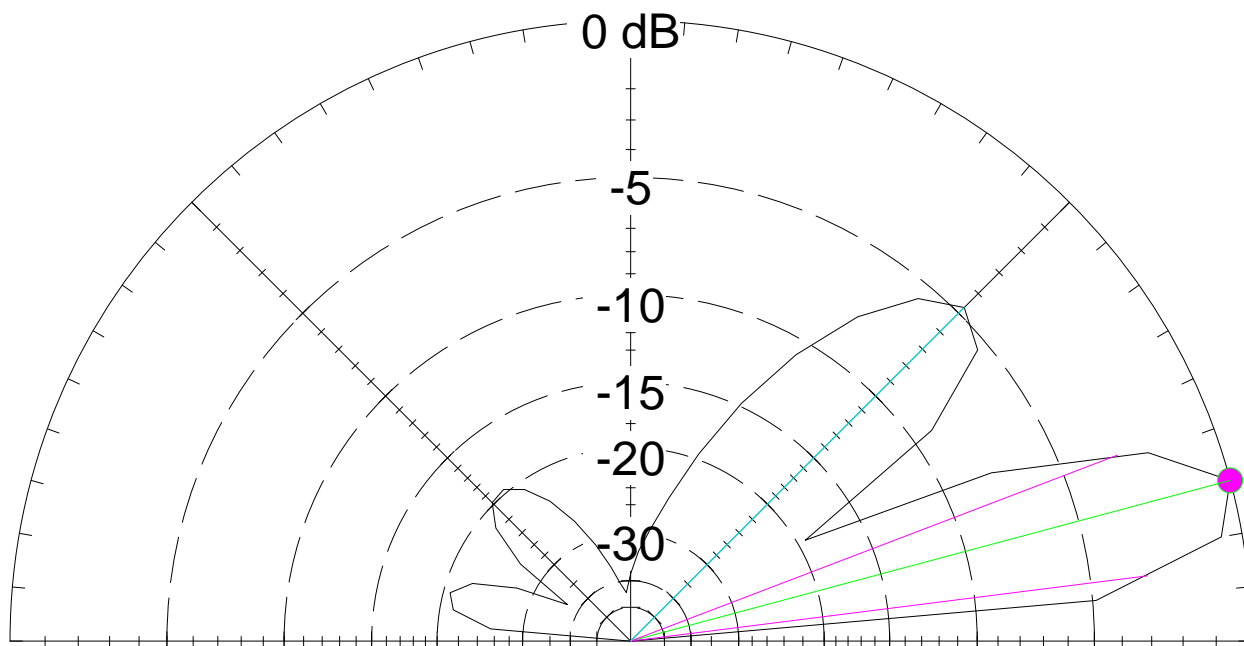
3 STQ 5

24,89 MHz

Azimuth Plot
Elevation Angle 0,0 deg.
Outer Ring 8,52 dBi

Cursor Az 0,0 deg.
Gain 8,52 dBi
0,0 dBmax

Slice Max Gain 8,52 dBi @ Az Angle = 0,0 deg.
Front/Back 20,47 dB
Beamwidth 67,6 deg.; -3dB @ 326,2, 33,8 deg.
Sidelobe Gain -11,79 dBi @ Az Angle = 135,0 deg.
Front/Sidelobe 20,31 dB



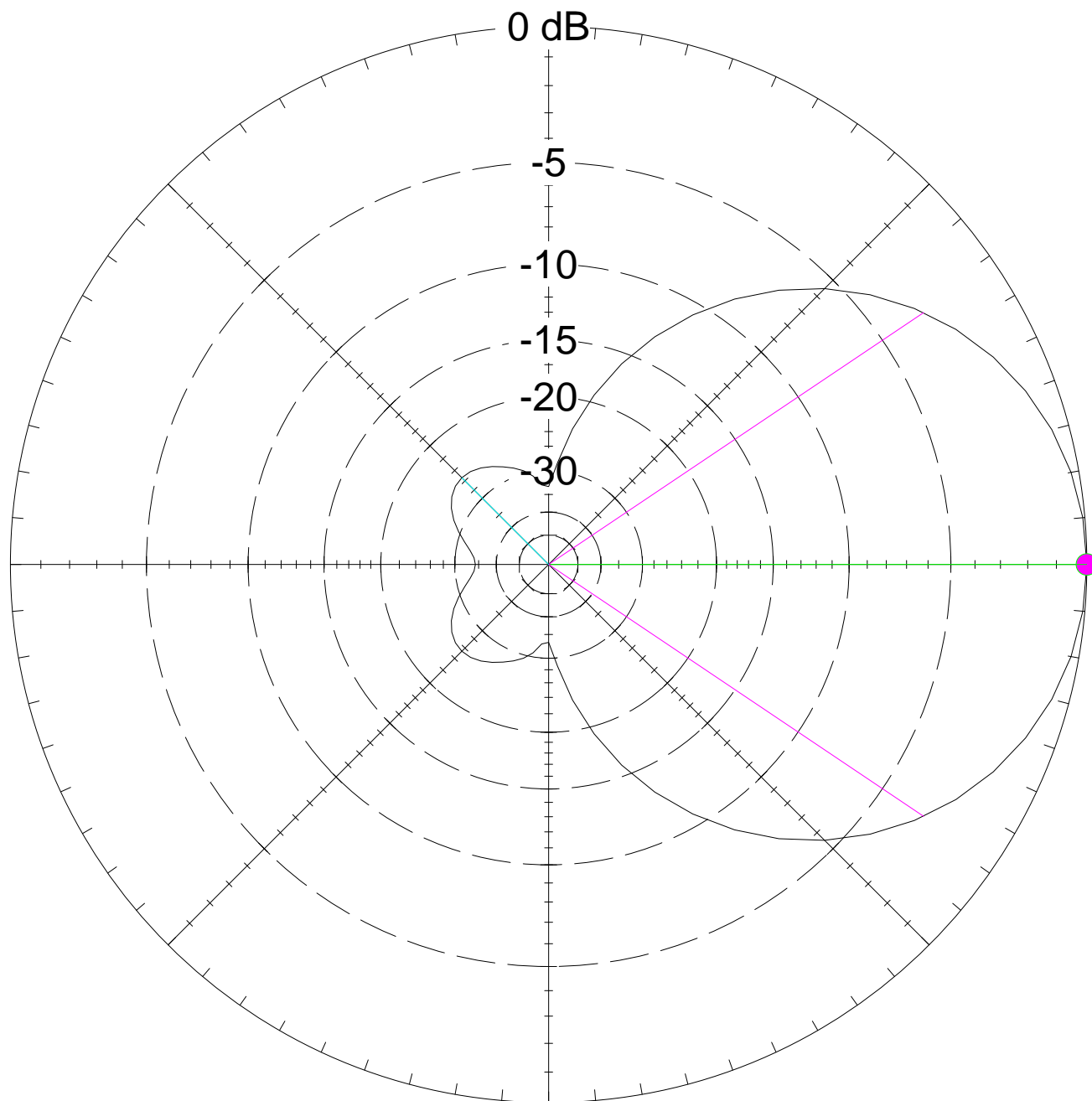
3 STQ 5

24,89 MHz

Elevation Plot
Azimuth Angle 0,0 deg.
Outer Ring 13,49 dBi

Cursor Elev 15,0 deg.
Gain 13,49 dBi
0,0 dBmax

Slice Max Gain 13,49 dBi @ Elev Angle = 15,0 deg.
Beamwidth 13,7 deg.; -3dB @ 7,2, 20,9 deg.
Sidelobe Gain 8,78 dBi @ Elev Angle = 45,0 deg.
Front/Sidelobe 4,71 dB



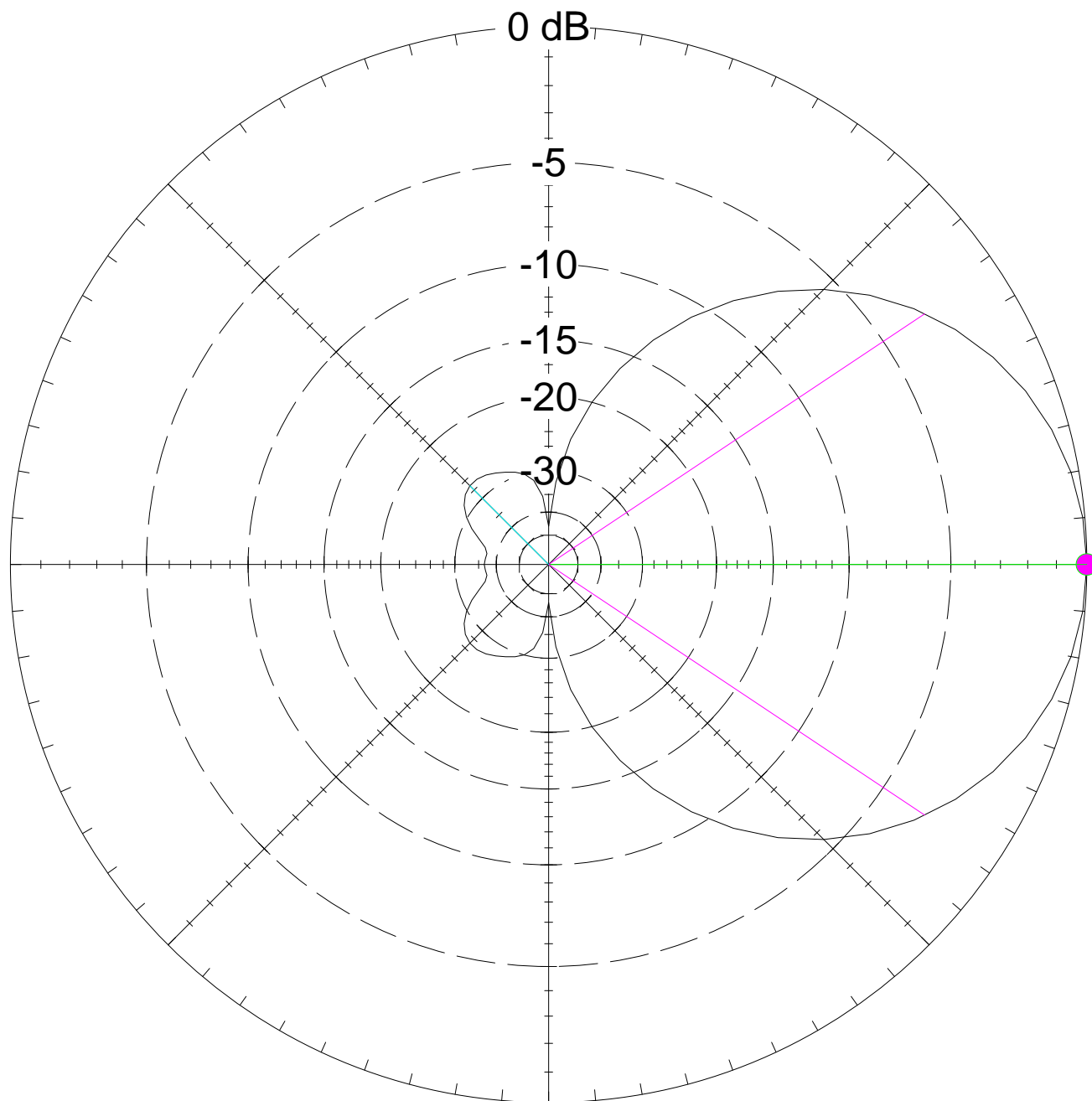
3 STQ 5

21,15 MHz

Azimuth Plot
Elevation Angle 15,0 deg.
Outer Ring 13,41 dBi

Cursor Az 0,0 deg.
Gain 13,41 dBi
0,0 dBmax

Slice Max Gain 13,41 dBi @ Az Angle = 0,0 deg.
Front/Back 34,21 dB
Beamwidth 67,8 deg.; -3dB @ 326,1, 33,9 deg.
Sidelobe Gain -11,94 dBi @ Az Angle = 135,0 deg.
Front/Sidelobe 25,35 dB



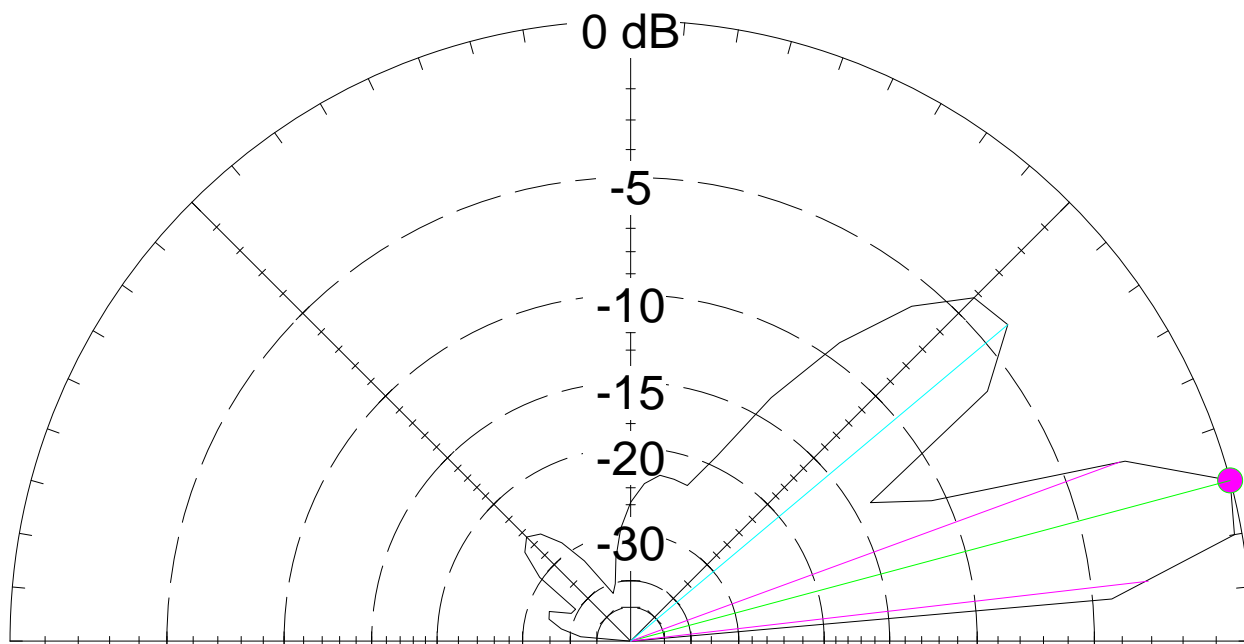
3 STQ 5

21,15 MHz

Azimuth Plot
 Elevation Angle 0,0 deg.
 Outer Ring 8,52 dBi

Cursor Az 0,0 deg.
 Gain 8,52 dBi
 0,0 dBmax

Slice Max Gain 8,52 dBi @ Az Angle = 0,0 deg.
 Front/Back 36,45 dB
 Beamwidth 67,4 deg.; -3dB @ 326,3, 33,7 deg.
 Sidelobe Gain -18,51 dBi @ Az Angle = 135,0 deg.
 Front/Sidelobe 27,03 dB



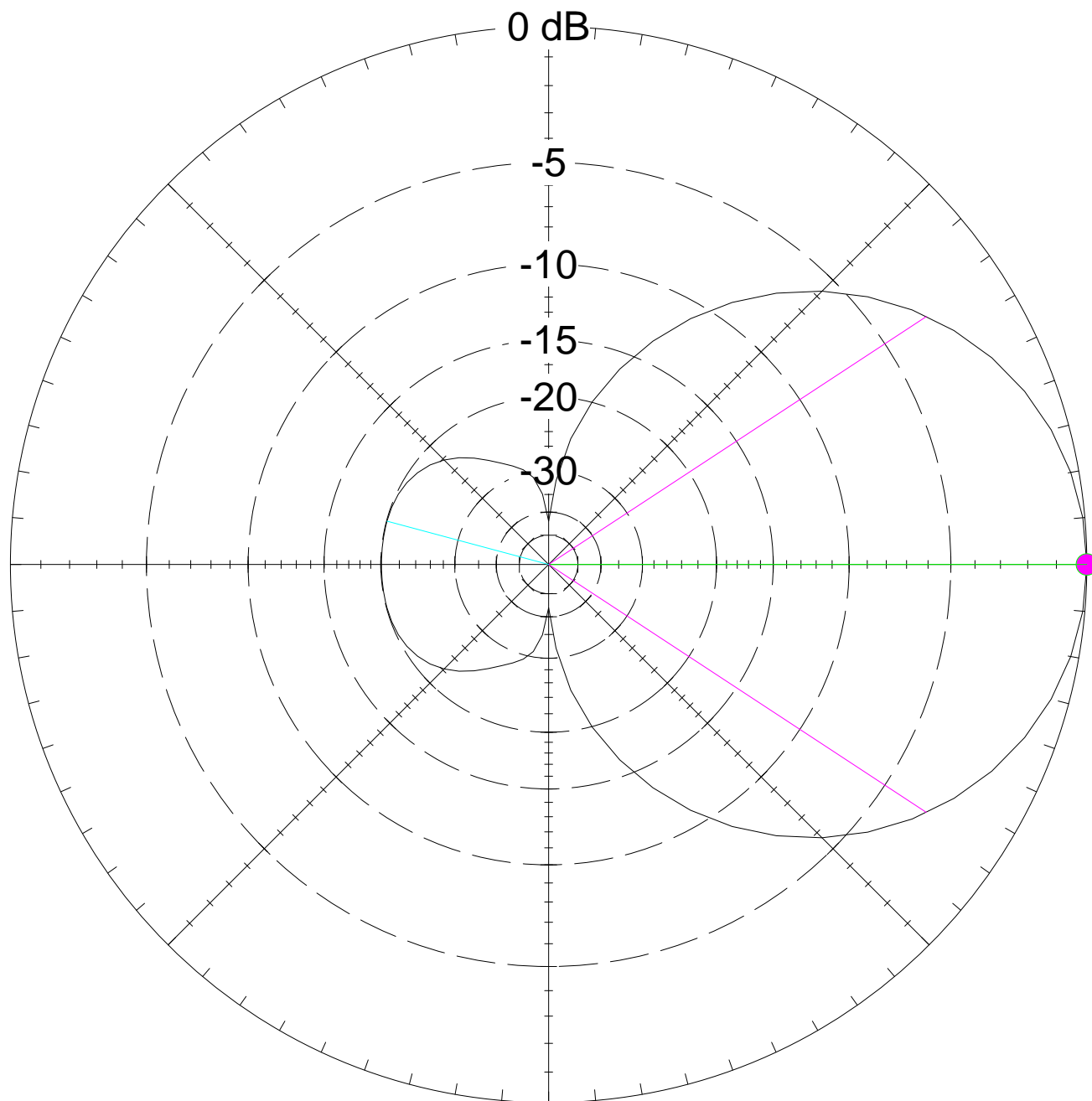
3 STQ 5

21,15 MHz

Elevation Plot
Azimuth Angle 0,0 deg.
Outer Ring 13,41 dBi

Cursor Elev 15,0 deg.
Gain 13,41 dBi
0,0 dBmax

Slice Max Gain 13,41 dBi @ Elev Angle = 15,0 deg.
Beamwidth 13,5 deg.; -3dB @ 6,6, 20,1 deg.
Sidelobe Gain 9,44 dBi @ Elev Angle = 40,0 deg.
Front/Sidelobe 3,97 dB



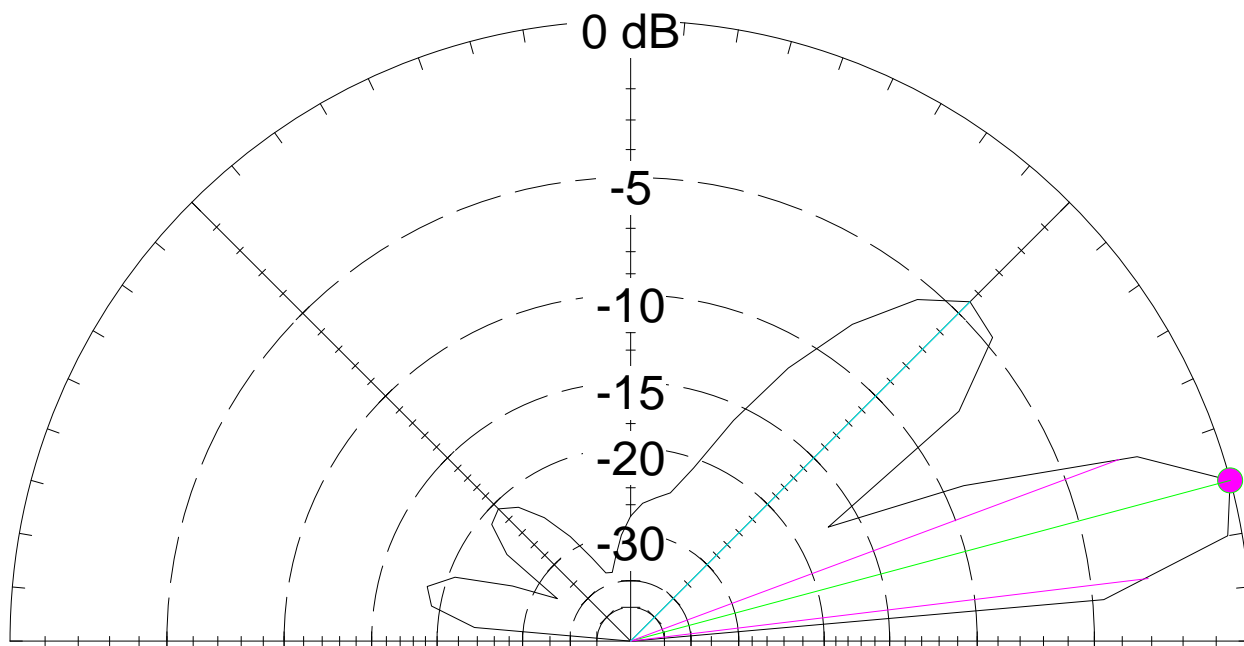
3 STQ 5

18,068 MHz

Azimuth Plot
Elevation Angle 0,0 deg.
Outer Ring 8,45 dBi

Cursor Az 0,0 deg.
Gain 8,45 dBi
0,0 dBmax

Slice Max Gain 8,45 dBi @ Az Angle = 0,0 deg.
Front/Back 20,07 dB
Beamwidth 66,6 deg.; -3dB @ 326,7, 33,3 deg.
Sidelobe Gain -11,6 dBi @ Az Angle = 165,0 deg.
Front/Sidelobe 20,05 dB



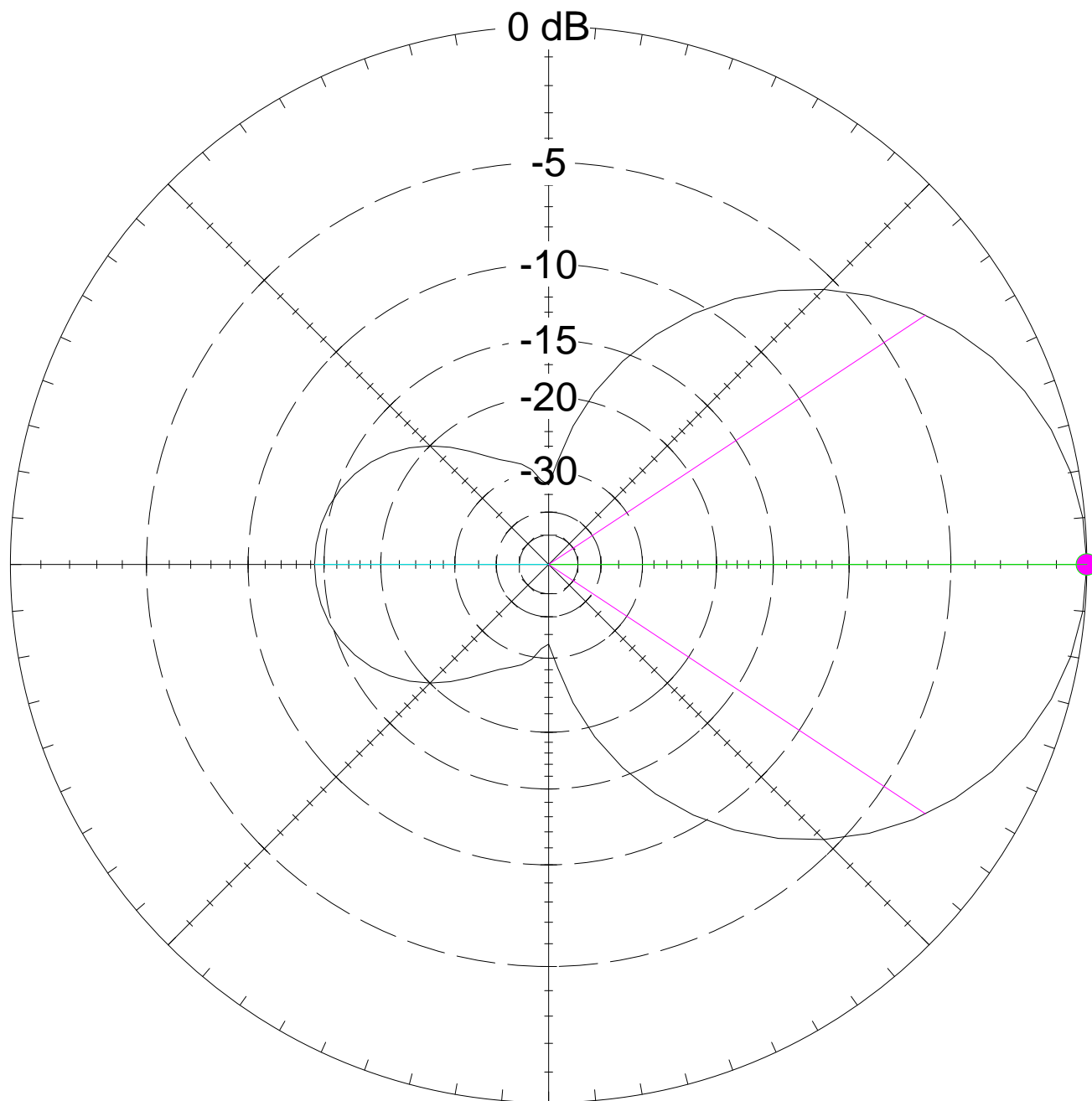
3 STQ 5

18,068 MHz

Elevation Plot
Azimuth Angle 0,0 deg.
Outer Ring 13,38 dBi

Cursor Elev 15,0 deg.
Gain 13,38 dBi
0,0 dBmax

Slice Max Gain 13,38 dBi @ Elev Angle = 15,0 deg.
Beamwidth 13,5 deg.; -3dB @ 6,9, 20,4 deg.
Sidelobe Gain 8,96 dBi @ Elev Angle = 45,0 deg.
Front/Sidelobe 4,42 dB



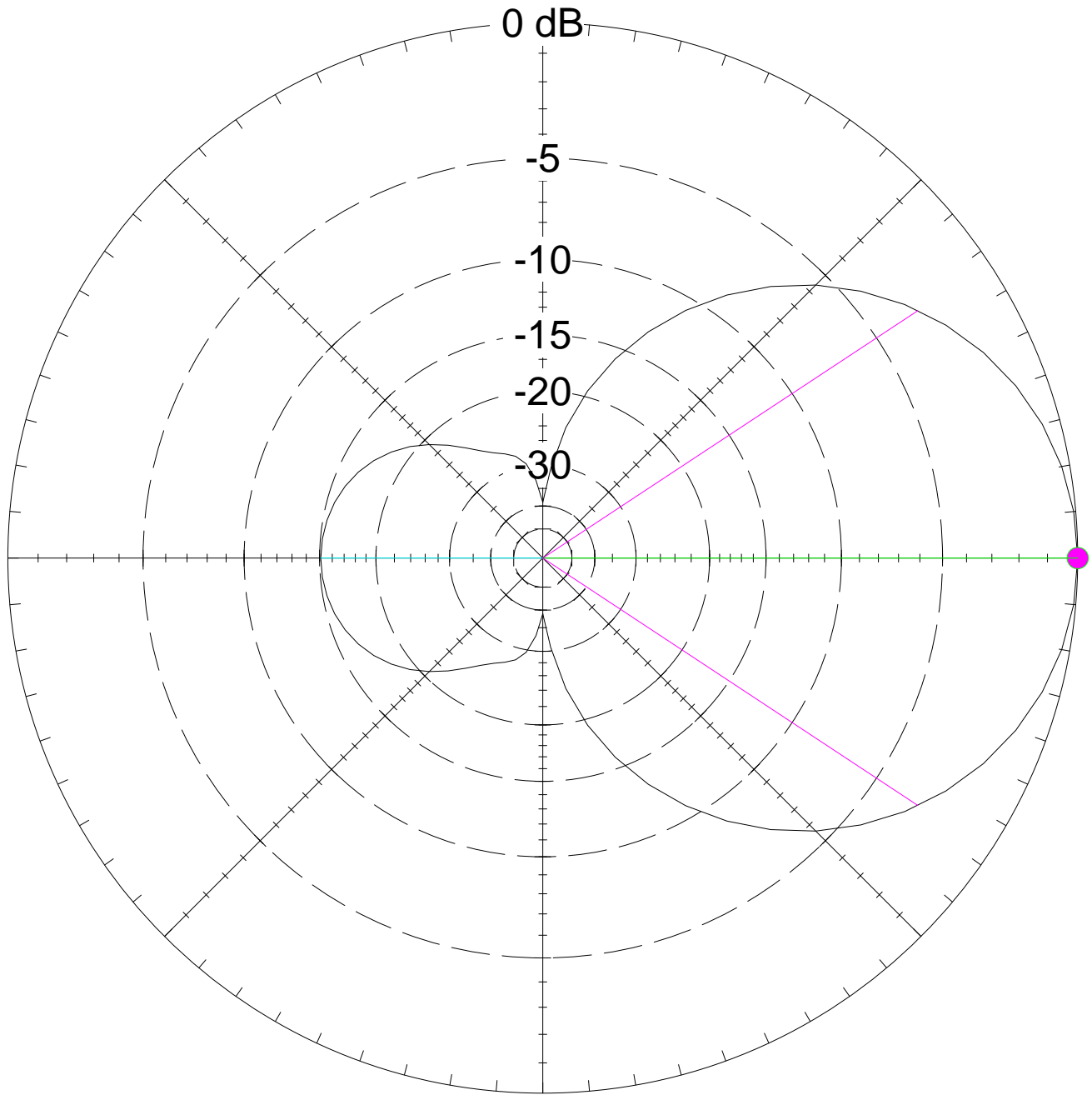
3 STQ 5

14,1 MHz

Azimuth Plot
 Elevation Angle 15,0 deg.
 Outer Ring 13,24 dBi

Cursor Az 0,0 deg.
 Gain 13,24 dBi
 0,0 dBmax

Slice Max Gain 13,24 dBi @ Az Angle = 0,0 deg.
 Front/Back 14,29 dB
 Beamwidth 67,0 deg.; -3dB @ 326,5, 33,5 deg.
 Sidelobe Gain -1,05 dBi @ Az Angle = 180,0 deg.
 Front/Sidelobe 14,29 dB



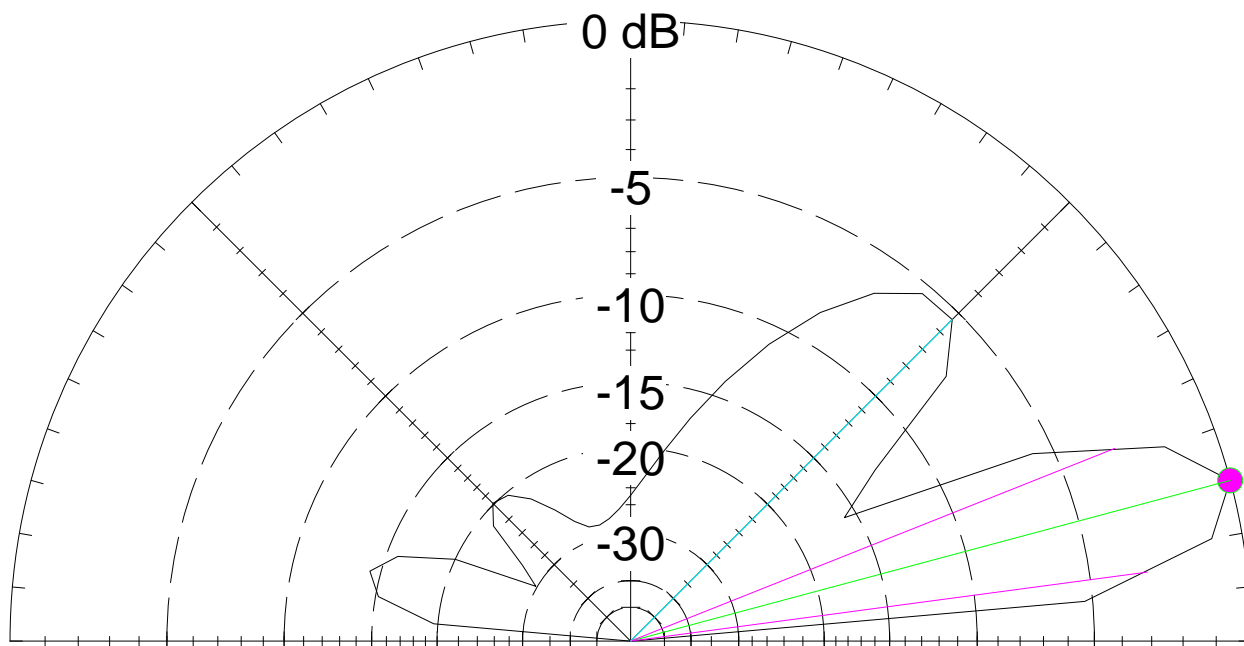
3 STQ 5

14,1 MHz

Azimuth Plot
 Elevation Angle 0,0 deg.
 Outer Ring 8,28 dBi

Cursor Az 0,0 deg.
 Gain 8,28 dBi
 0,0 dBmax

Slice Max Gain 8,28 dBi @ Az Angle = 0,0 deg.
 Front/Back 15,1 dB
 Beamwidth 66,8 deg.; -3dB @ 326,6, 33,4 deg.
 Sidelobe Gain -6,82 dBi @ Az Angle = 180,0 deg.
 Front/Sidelobe 15,1 dB



3 STQ 5

14,1 MHz

Elevation Plot
Azimuth Angle 0,0 deg.
Outer Ring 13,24 dBi

Cursor Elev 15,0 deg.
Gain 13,24 dBi
0,0 dBmax

Slice Max Gain 13,24 dBi @ Elev Angle = 15,0 deg.
Beamwidth 14,1 deg.; -3dB @ 7,6, 21,7 deg.
Sidelobe Gain 7,9 dBi @ Elev Angle = 45,0 deg.
Front/Sidelobe 5,34 dB